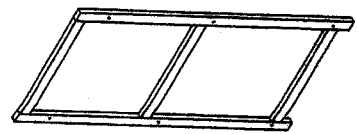
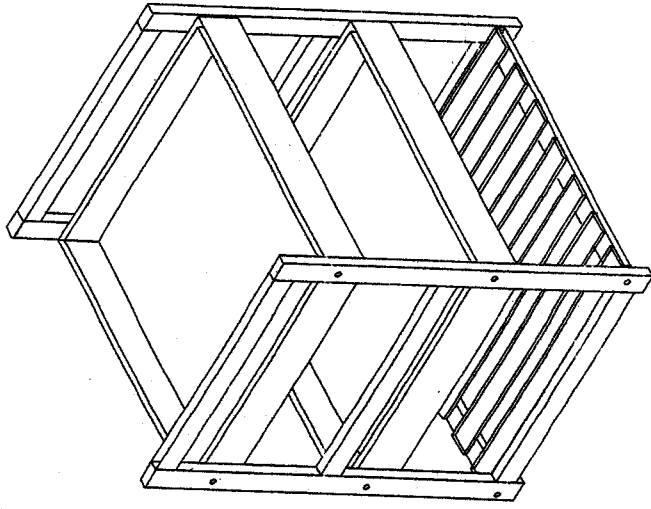
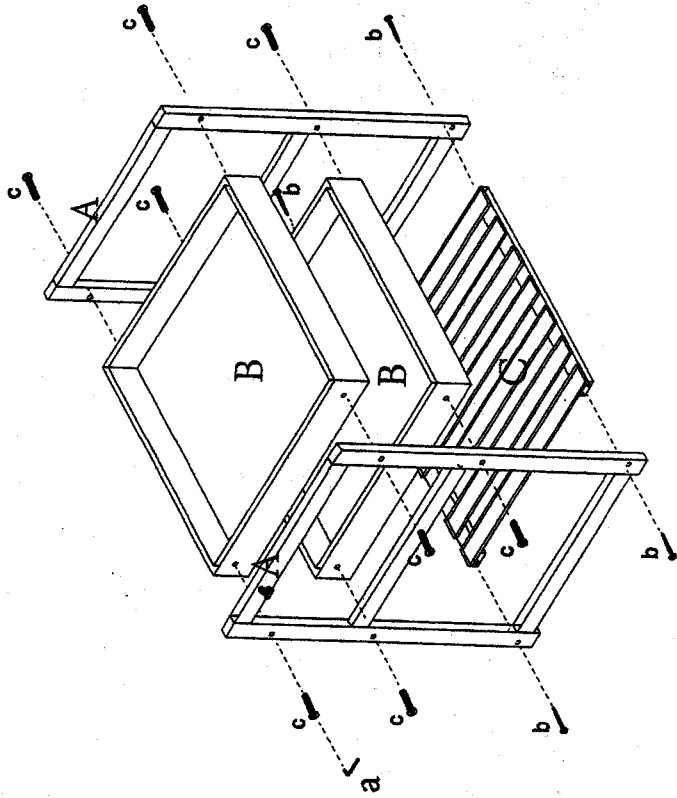
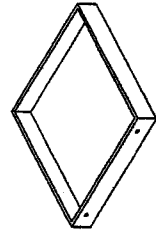


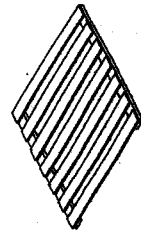
AK391 P/O- Nr. 5854 22.6.17



A x 2pcs



B x 2pcs



C x 1pc



a x 1pc



b x 4 pcs



c x 8 pcs