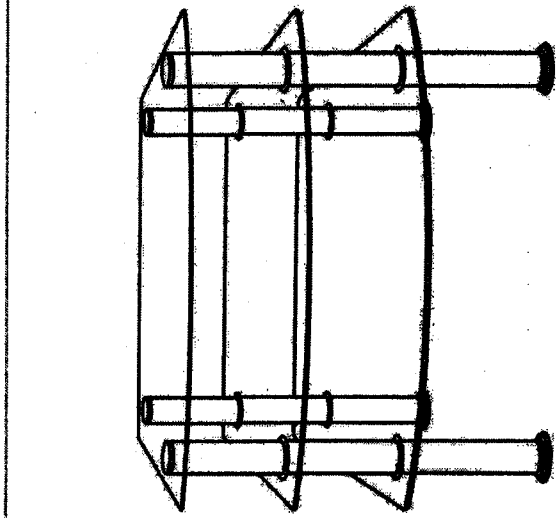
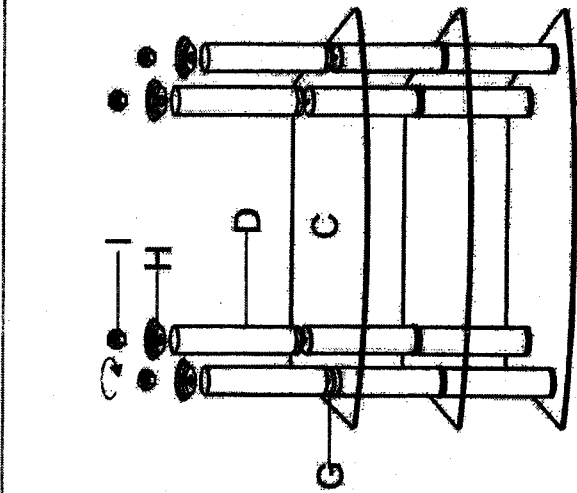
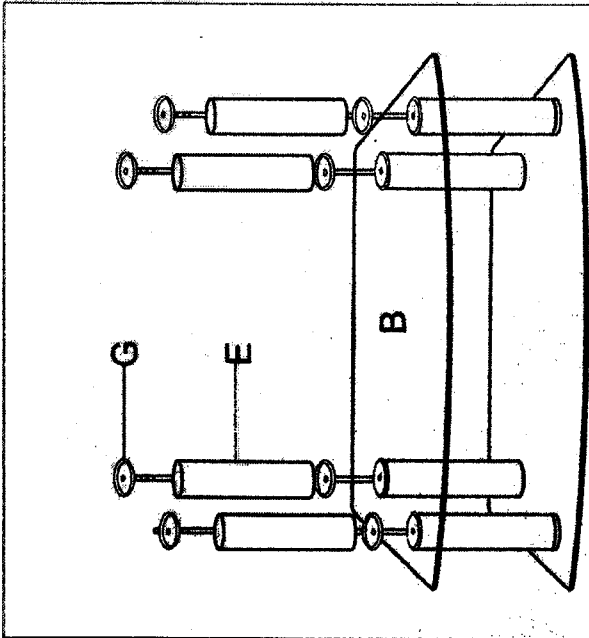
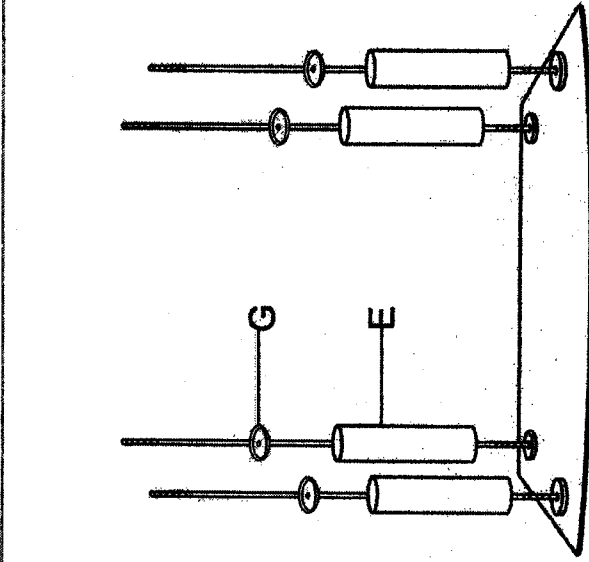
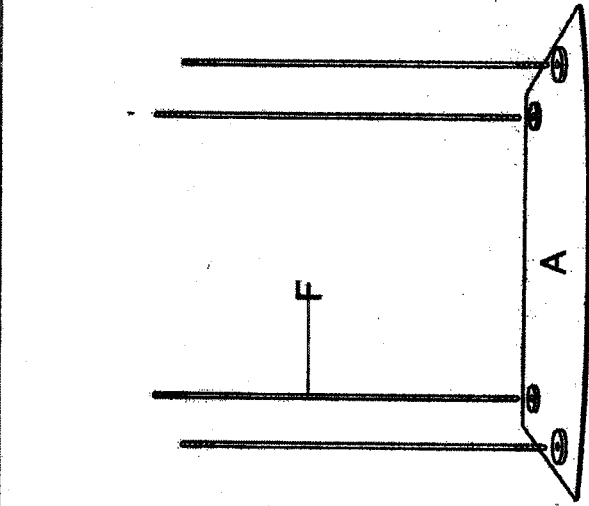

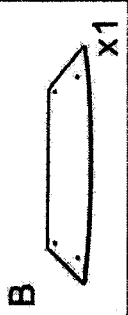
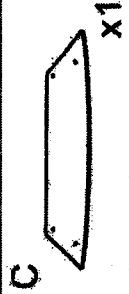
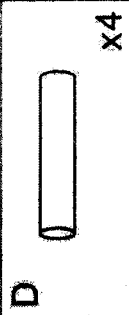
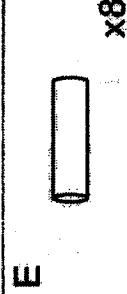

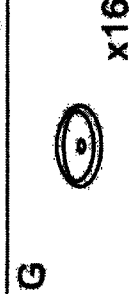
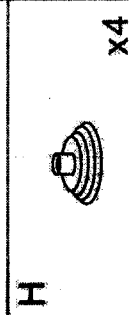
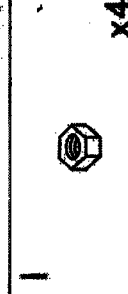


Part # 5880

MODEL NO: 15209



 A x1	 B x1
 C x1	 D x4
 E x8	 F x4
 G x16	 H x4
 I x4	