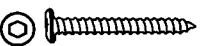

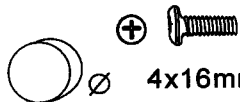
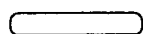
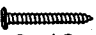






# ASSEMBLY INSTRUCTION

29115

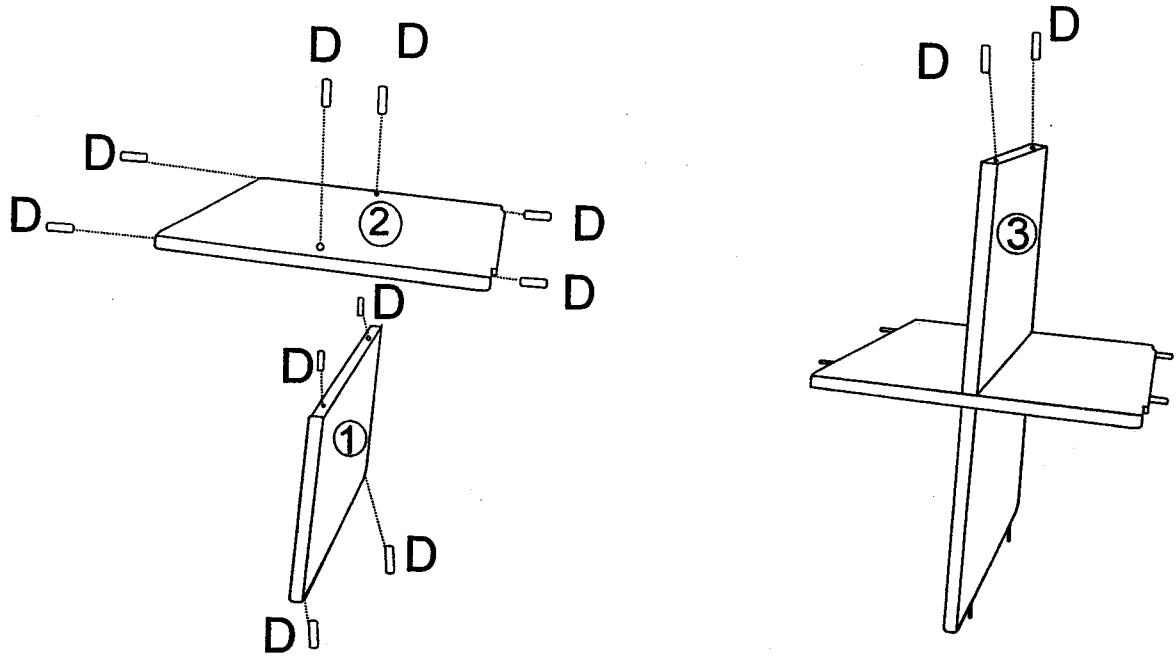


## HARDWARE LIST

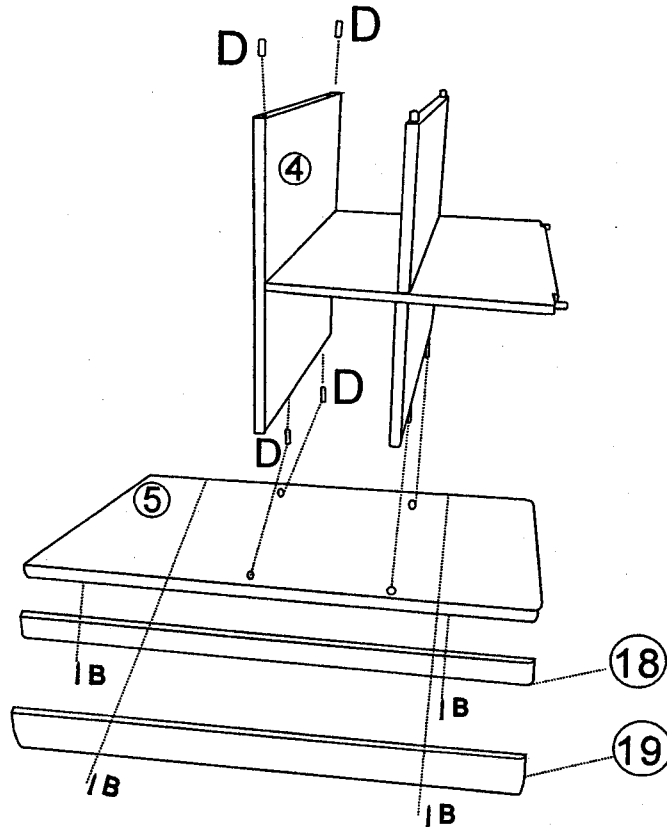
<p><b>A</b></p>  <p>∅ 6x50mm 12pcs</p>	<p><b>B</b></p>  <p>∅ 3x25mm 12pcs</p>	<p><b>C</b></p>  <p>∅ 4x16mm 1pcs</p>	<p><b>D</b></p>  <p>8x30mm 20pcs</p>
<p><b>E</b></p>  <p>3x12mm 10pc</p>	<p><b>F</b></p>  <p>12pcs</p>	<p><b>G</b></p>  <p>1pc</p>	<p><b>H</b></p>  <p>2pcs</p>
 <p>1pc</p>			

Please read instruction before you start assembling

### STEP 1 Dx12

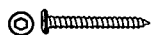
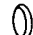


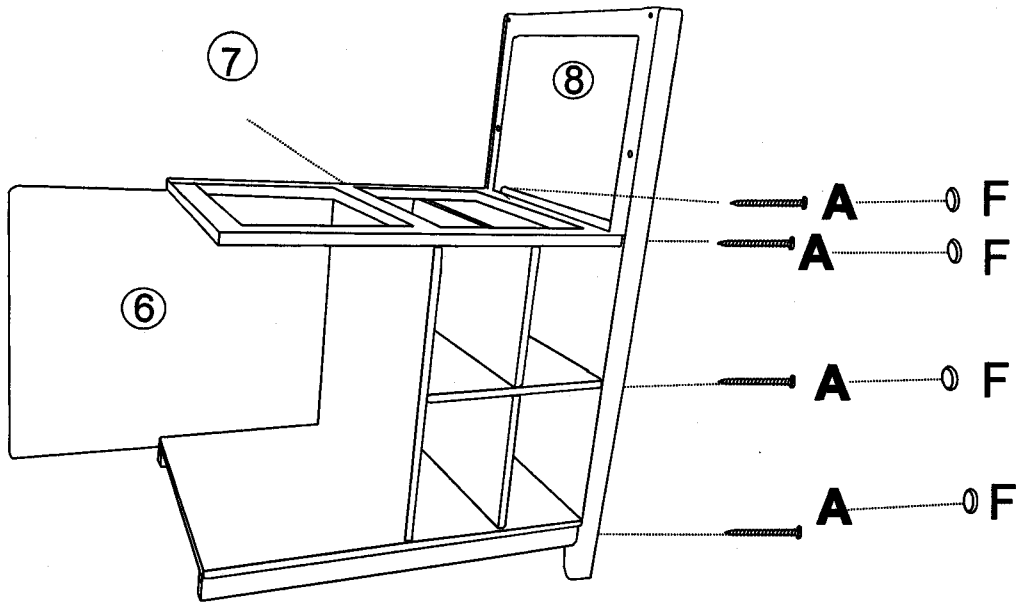
### STEP 2 Dx4 Bx4



Please read instruction before you start assembling

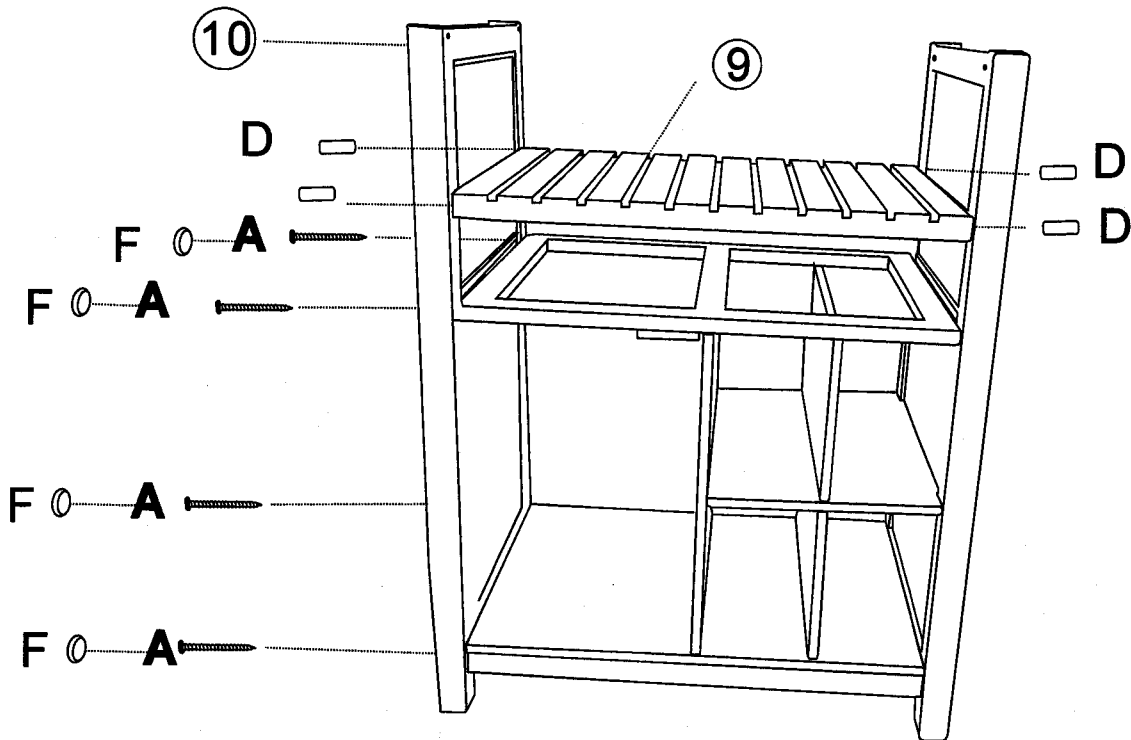
### STEP 3

Ax4  Fx4 



### STEP 4

Dx4  Ax4  Fx4 




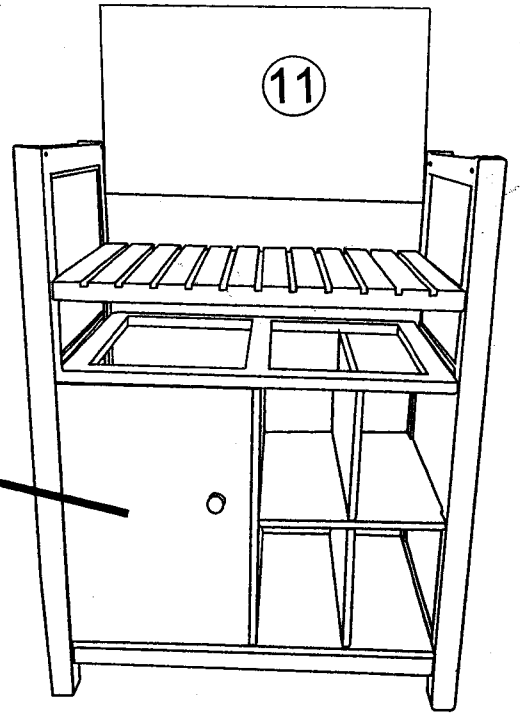
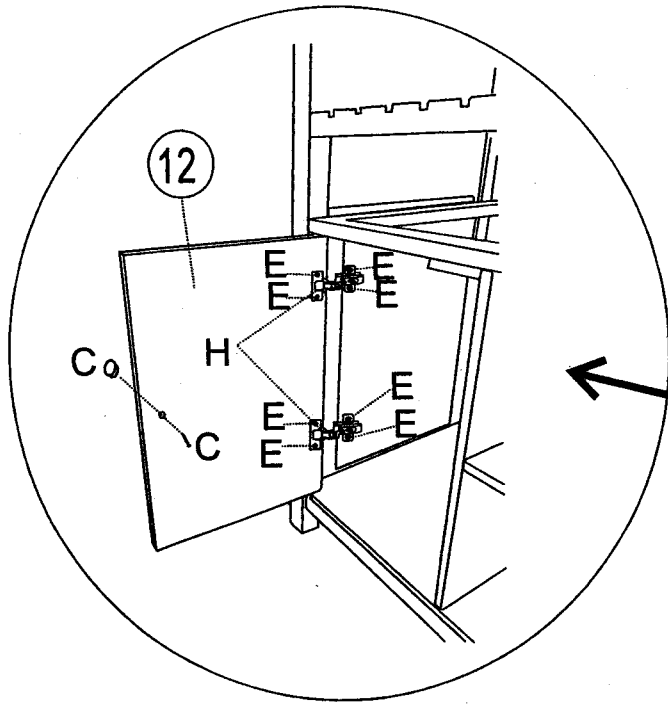
Please read instruction before you start assembling

## STEP 5

Hx2 

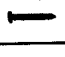
Ex8 

Cx1 

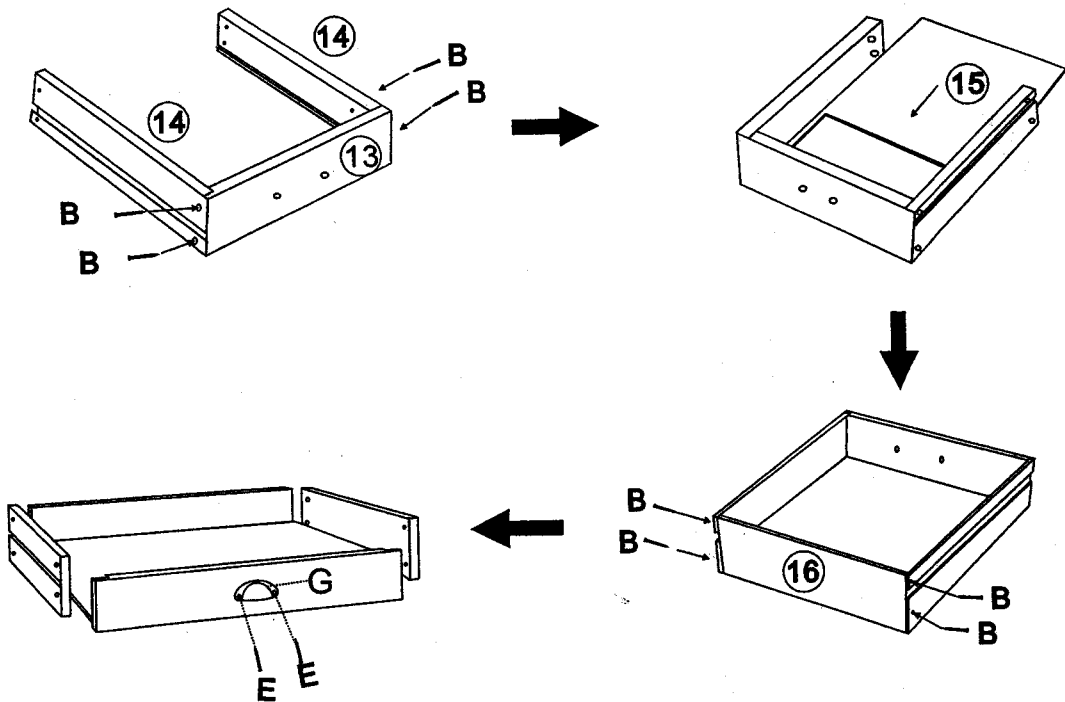


## STEP 6

Bx8 

Ex2 

 Gx1



Please read instruction before you start assembling

# STEP 7

Ax4 

Fx4 