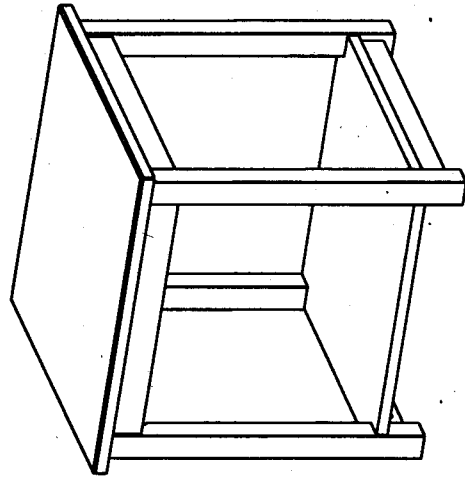
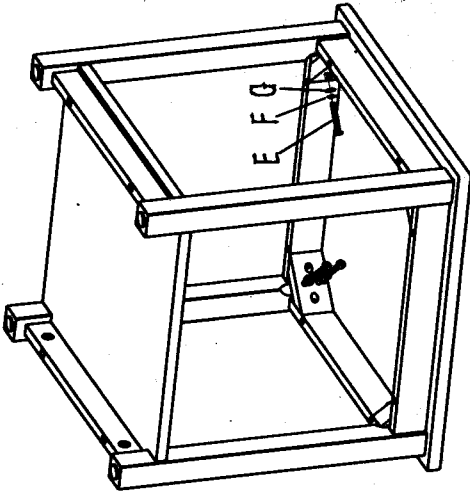
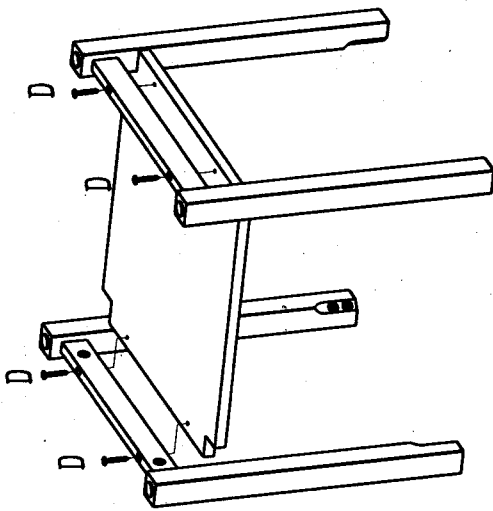
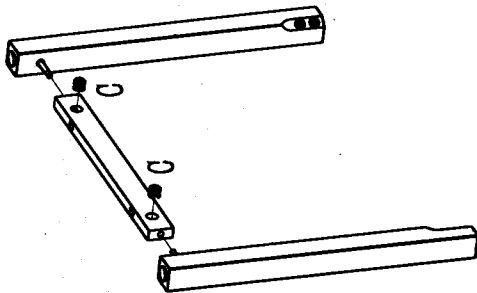
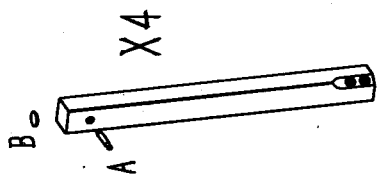
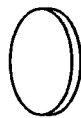


PO 5691 WE 11.07 17



4X A



4X B



4X C



4X D



8X E



8X F



8X G



1X