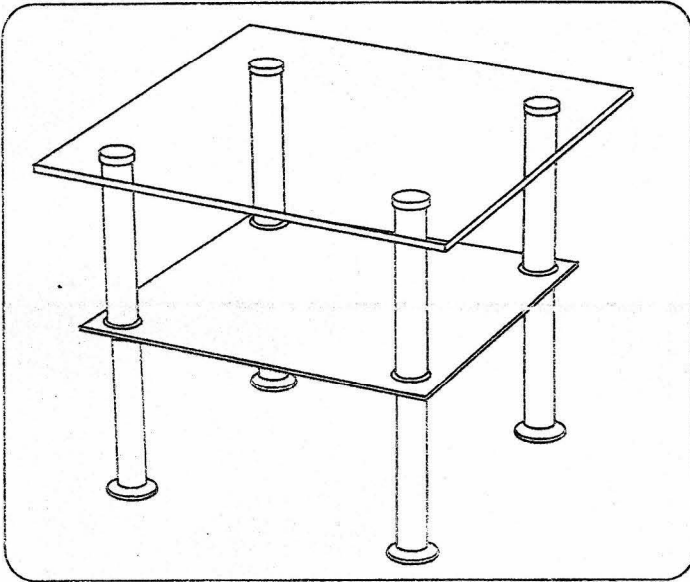
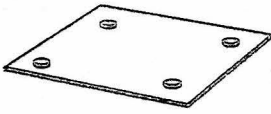

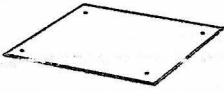
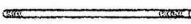
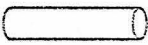

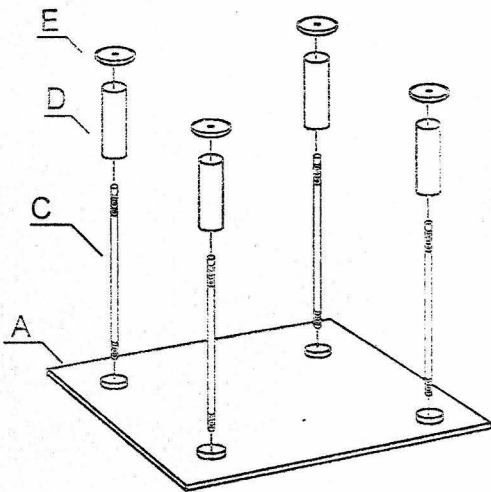


Model NO:33210

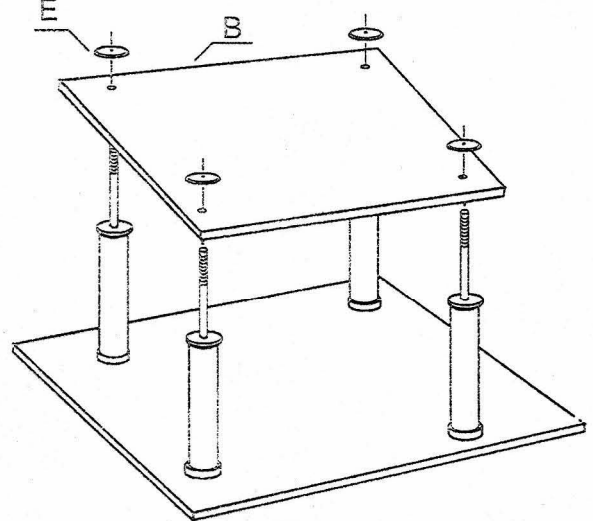


A (40x40cm) x1	E (φ32) x8
	
B (35x35cm) x1	F (φ32) x4
	metal feet
C (M8x41cm) x4	G (φ32) x4
	plastic feet
D (φ32x20cm) x8	H (M8) x4
	

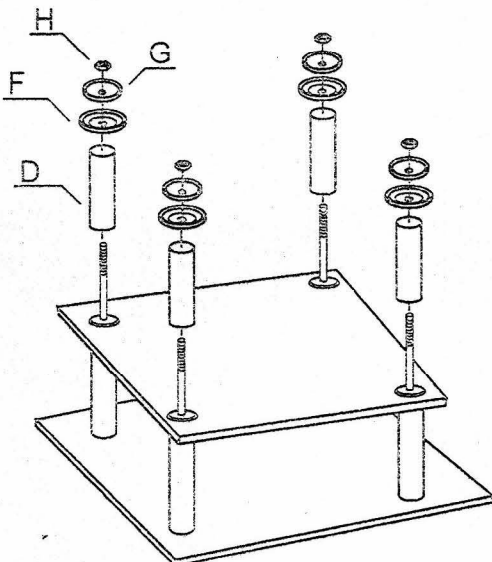
step 1



step 2



step 3



step 4

