

Montagetijd ca.5min.



Montage kan door
1 persoon gedaan worden





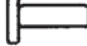


1

Diagram 1 shows a wooden board with five screws labeled 'A' being inserted into pre-drilled holes. Three screws labeled 'E' are shown being inserted into the side of the board. Below this, a diagram shows the board being attached to a wall using screws 'B' and 'C' through a hole in the wall. A hole 'G' is also indicated in the wall.

2

Diagram 2 shows the board with a mirror being attached. It illustrates the placement of screws 'A' and 'E' to secure the mirror. Below, a diagram shows the board with a hook being attached using screw 'D'. A second diagram shows the board with a hook being attached using screw 'E'.

 A x 5
 B x 2
 C x 3
 D x 1
 E x 6