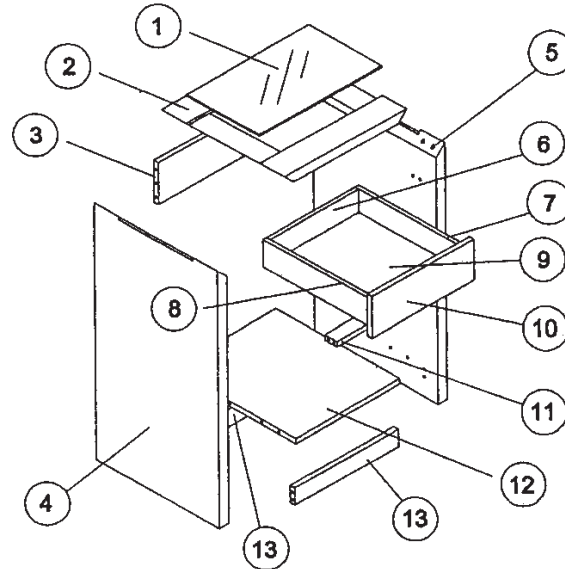




Montagehandleiding 42512



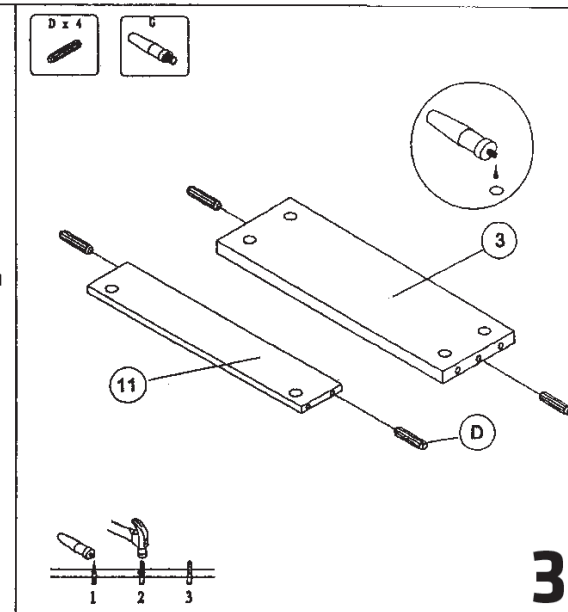
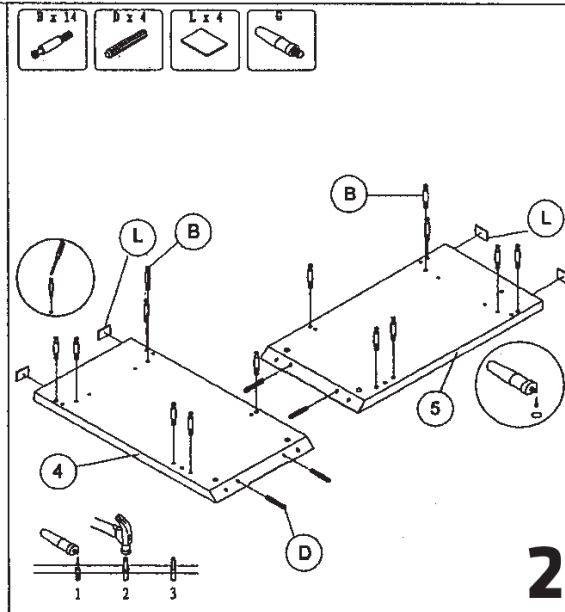
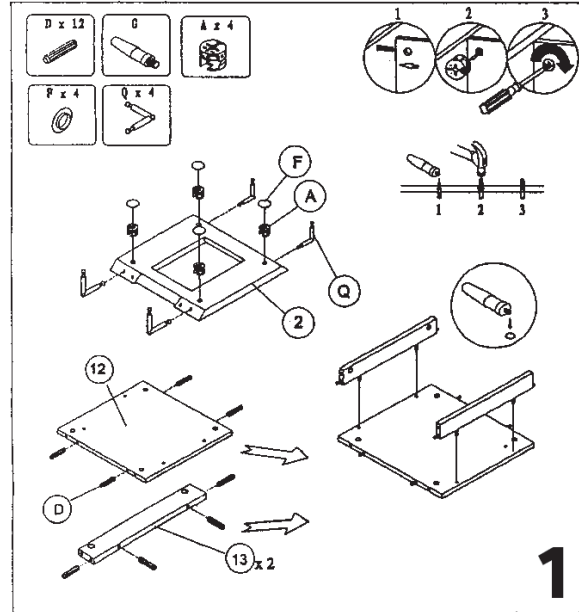
| | | | | | |
|--------|--------|-------|--------|-------|--------|
| | | | | | |
| A x 22 | B x 16 | C x 2 | D x 20 | | |
| | | | | | |
| E x 2 | F x 8 | G x 1 | H x 4 | I x 4 | J x 14 |
| | | | | | |
| K x 4 | L x 4 | M x 1 | N x 1 | O x 2 | P x 4 |
| | | | | | |
| Q x 4 | R x 1 | S x 1 | | | |
| | | | | | |

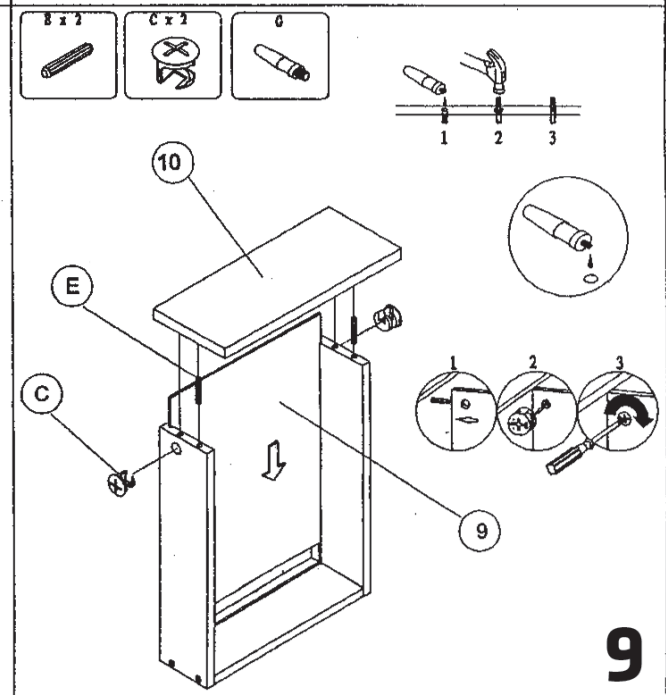
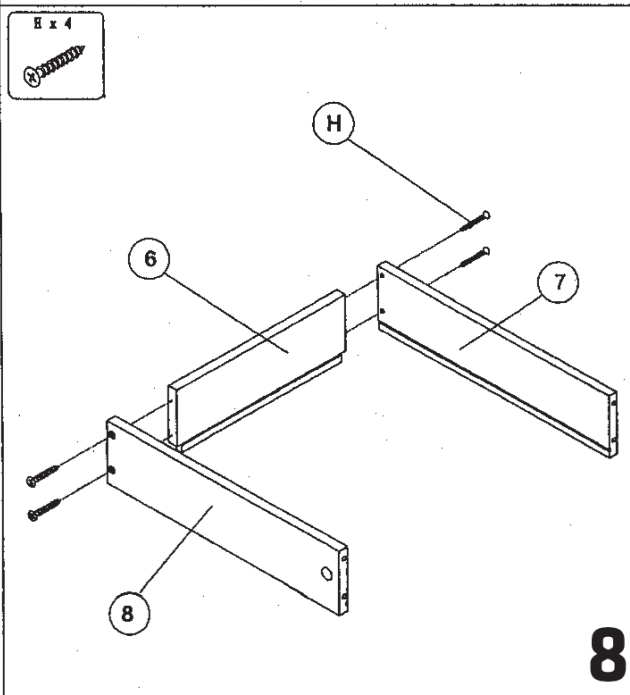
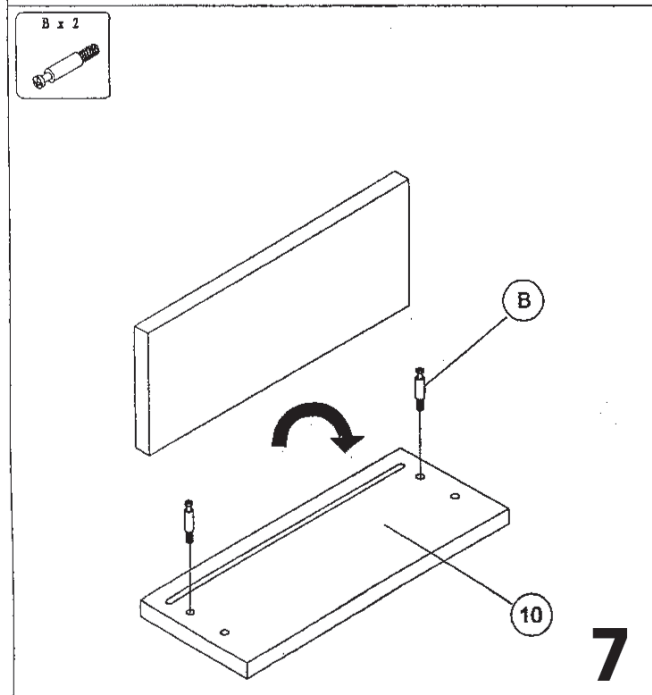
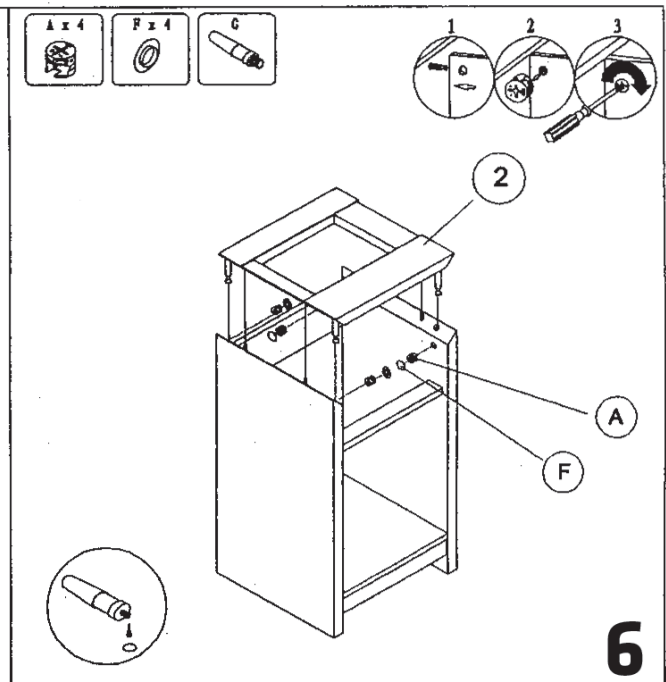
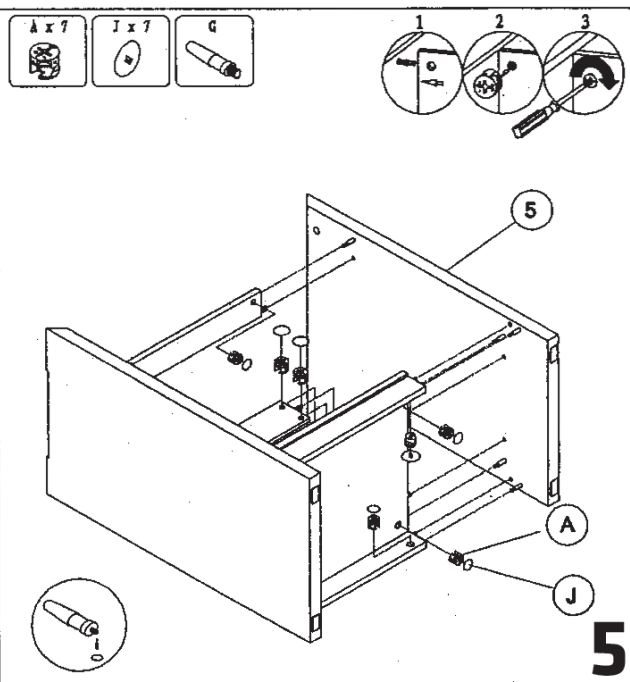
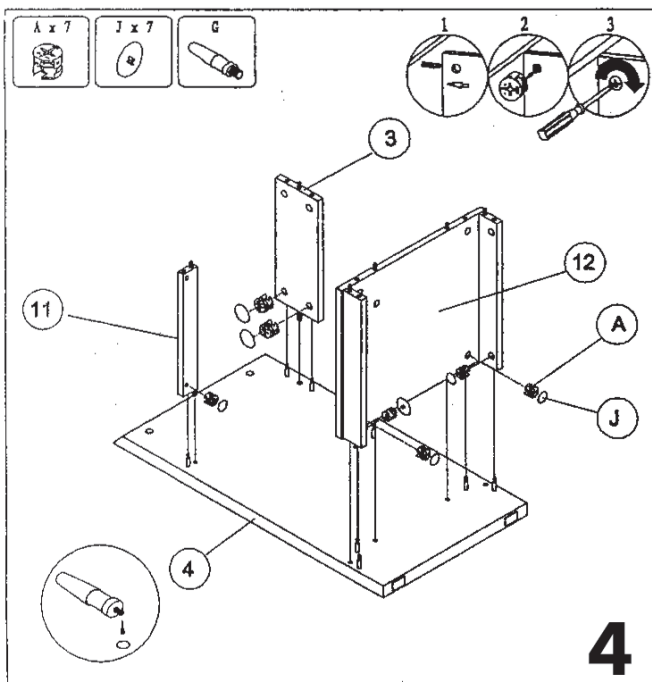


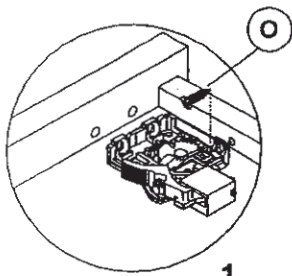
Montagetijd ca. 10min.



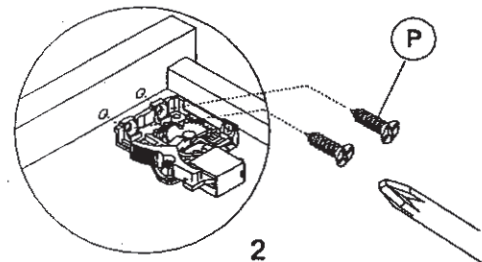
Montage kan door 1 persoon gedaan worden



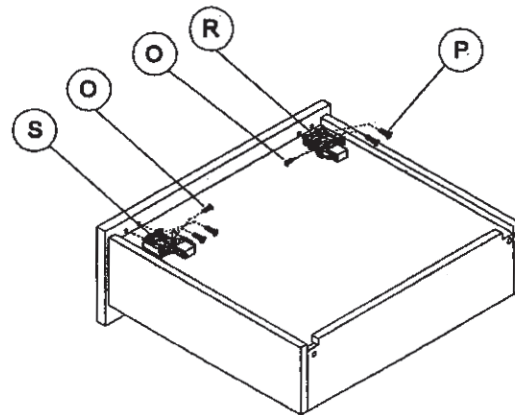




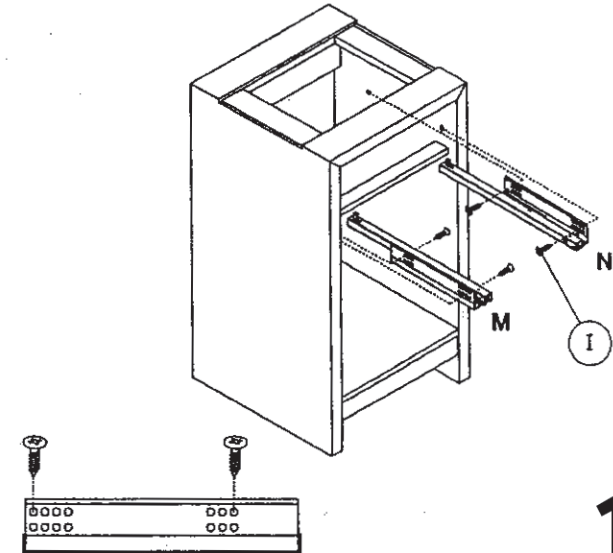
1



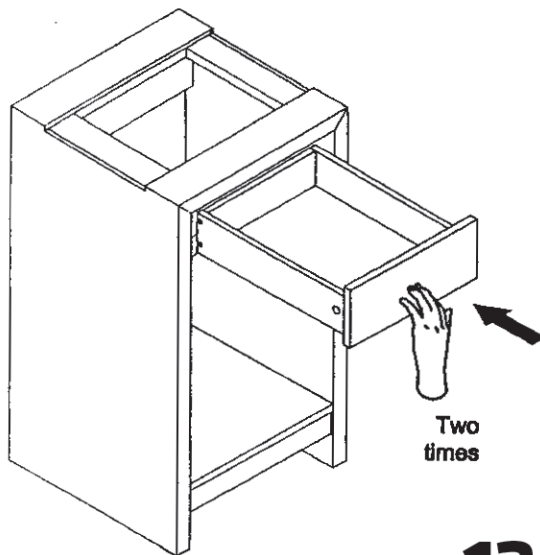
2



10

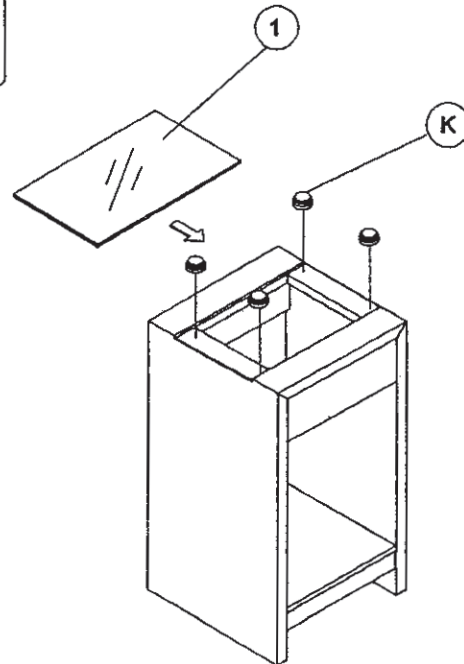


11



Two times

12



13



www.HAKUshop.nl