



Montagehandleiding

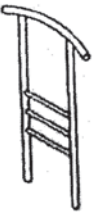

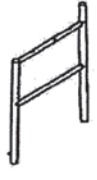



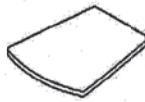




80088

Montagetijd ca. 10min.



Montage kan door 1 persoon gedaan worden



| | | | | | | | |
|---|---|---|---|---|---|---|--|
|  A 1X |  B 1X |  C 2X |  16•210MM D 1X |  16•230MM E 1X |  16•235MM F 1X |  G 1X | |
|  5•10MM H 2X |  6•10MM I 4X |  6•35MM J 6X |  4•25MM K 4X | | | | |

