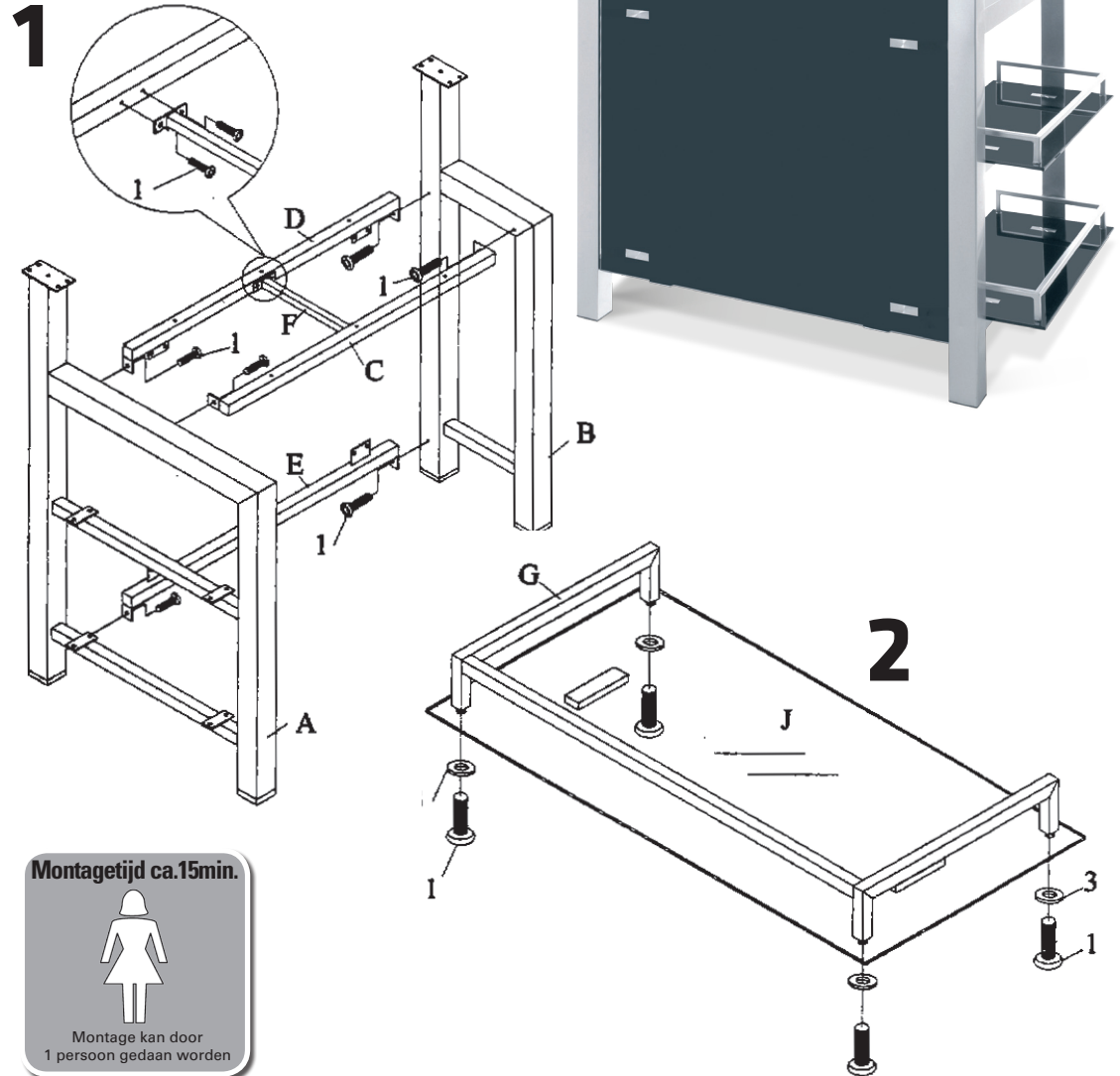


Montagehandleiding

95772

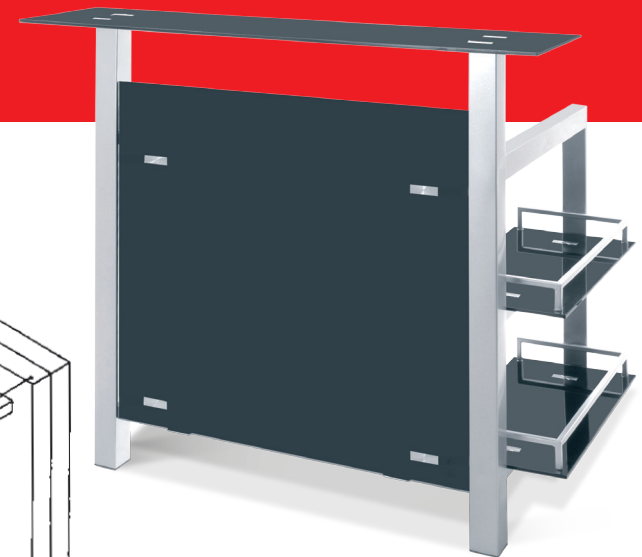
| | | | |
|---|--|------------|-------|
| 1 | | 1/4\"*16MM | 18PCS |
| 2 | | 1/4\"*8MM | 24PCS |
| 3 | | 16MM | 8PCS |
| 4 | | | 6PCS |
| 5 | | 4.0MM | 1PC |

| | | | | | |
|---|--|------|---|--|------|
| A | | 1PC | B | | 1PC |
| C | | 1PC | D | | 1PC |
| E | | 1PC | F | | 1PC |
| G | | 2PCS | H | | 1PC |
| I | | 1PC | J | | 2PCS |
| K | | 1PC | | | |



Montagetijd ca. 15min.

Montage kan door 1 persoon gedaan worden



HAKU
Möbel

Montagehandleiding 95772

