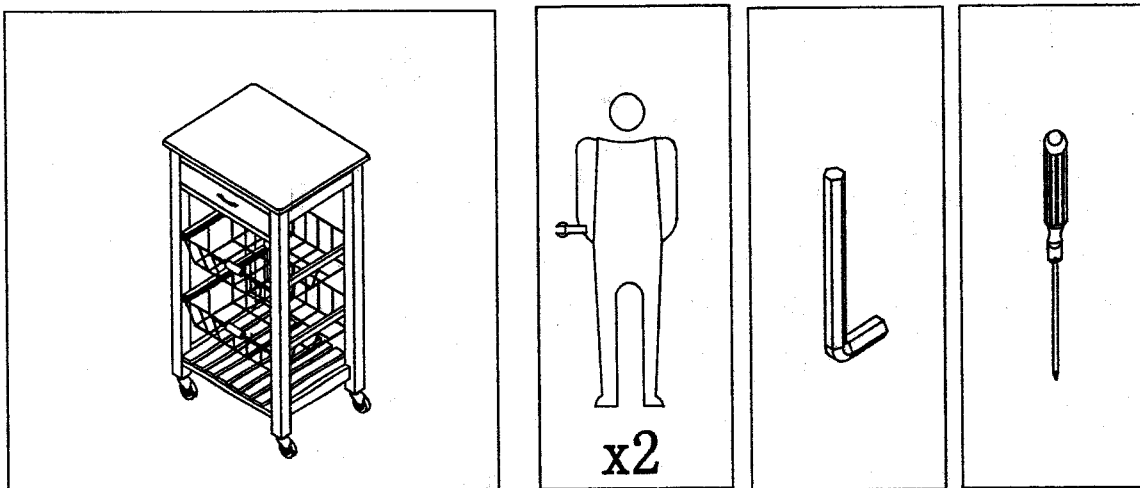
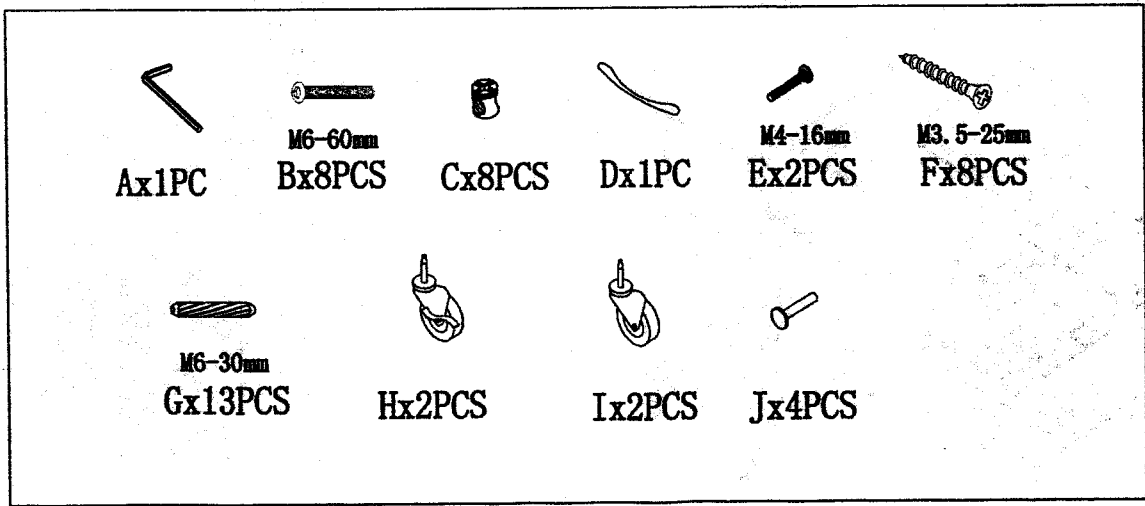
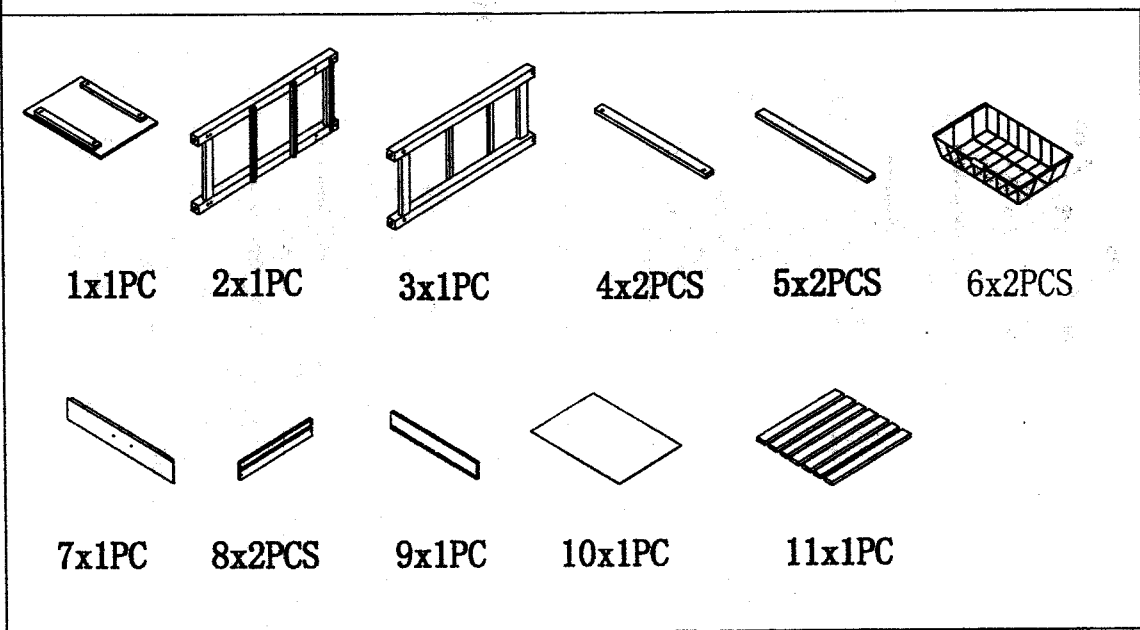


INSTRUCTION SHEET

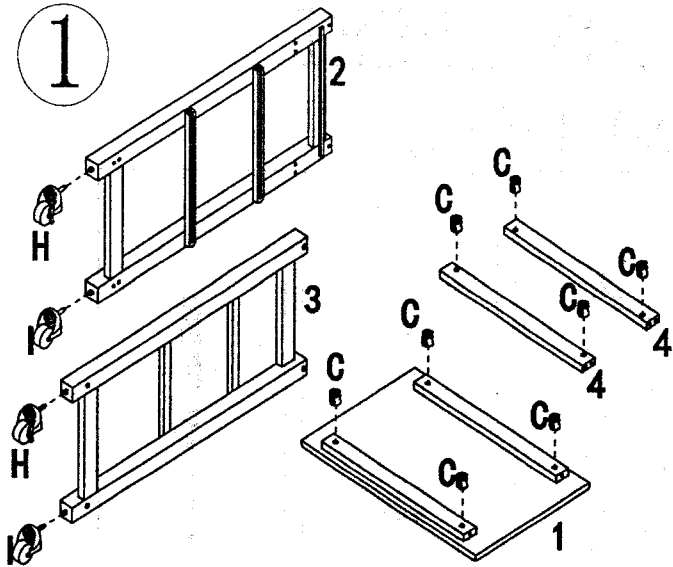
(ITEM NO. 13084)



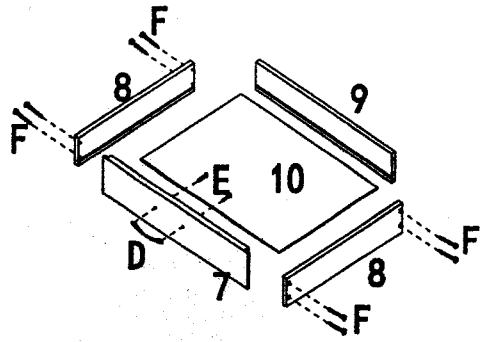
x2



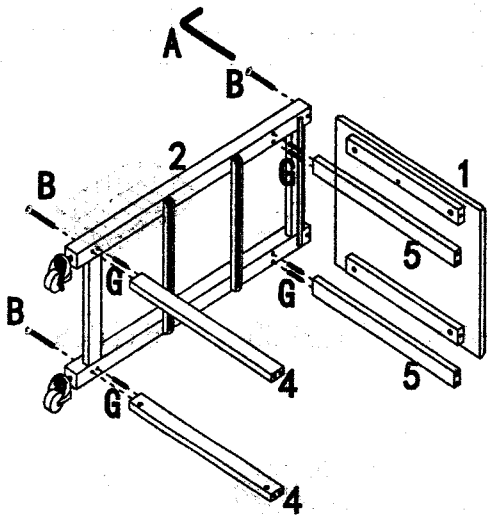
1



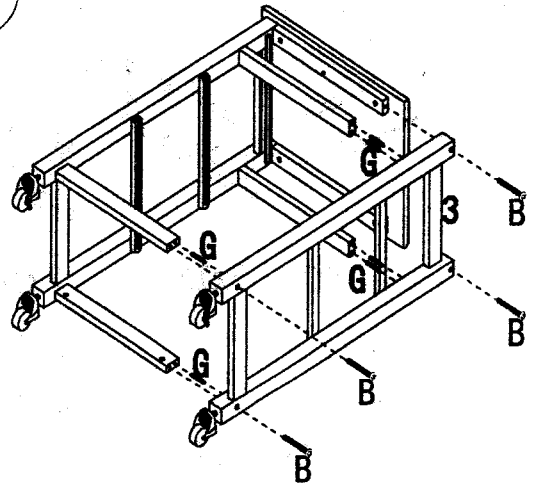
2



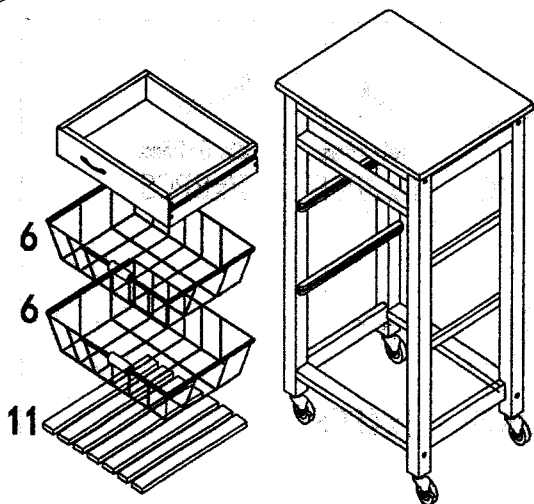
3



4



5



6

