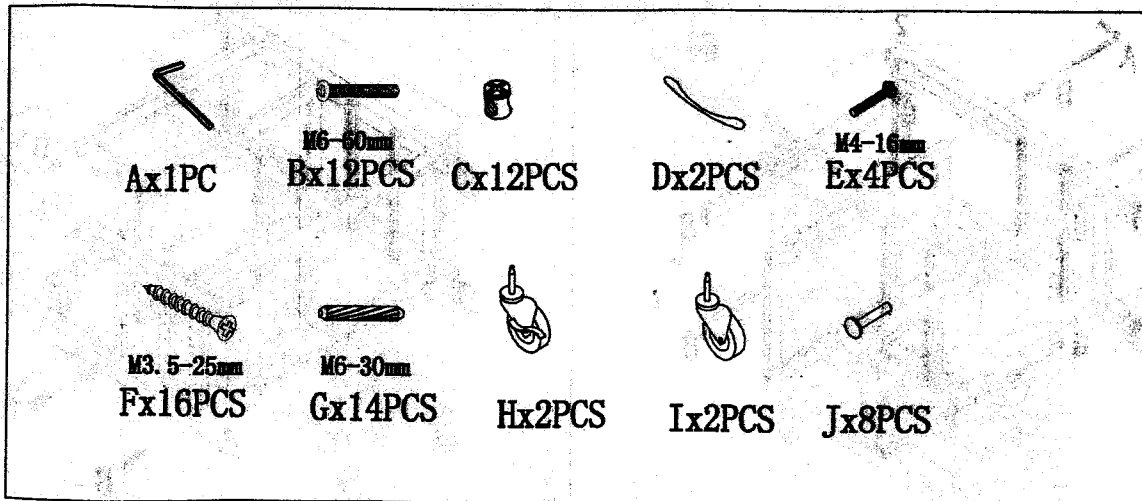
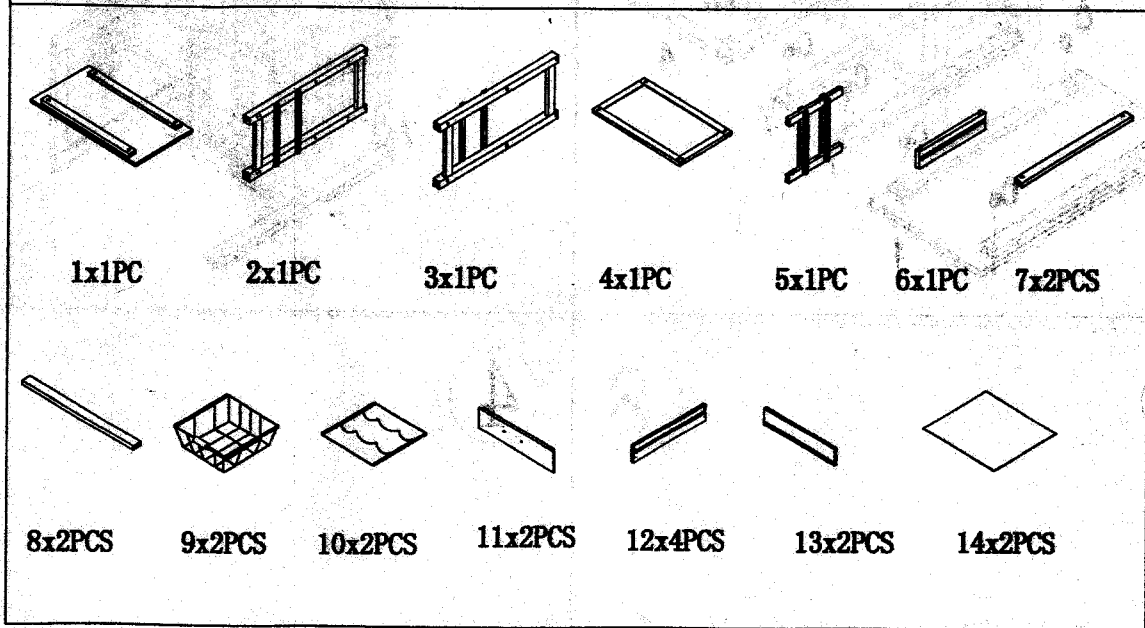
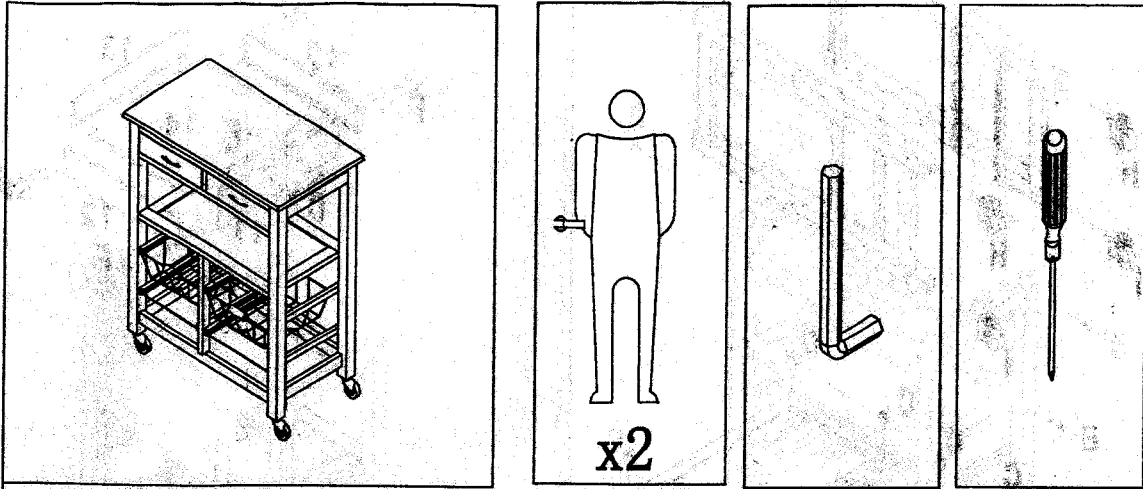


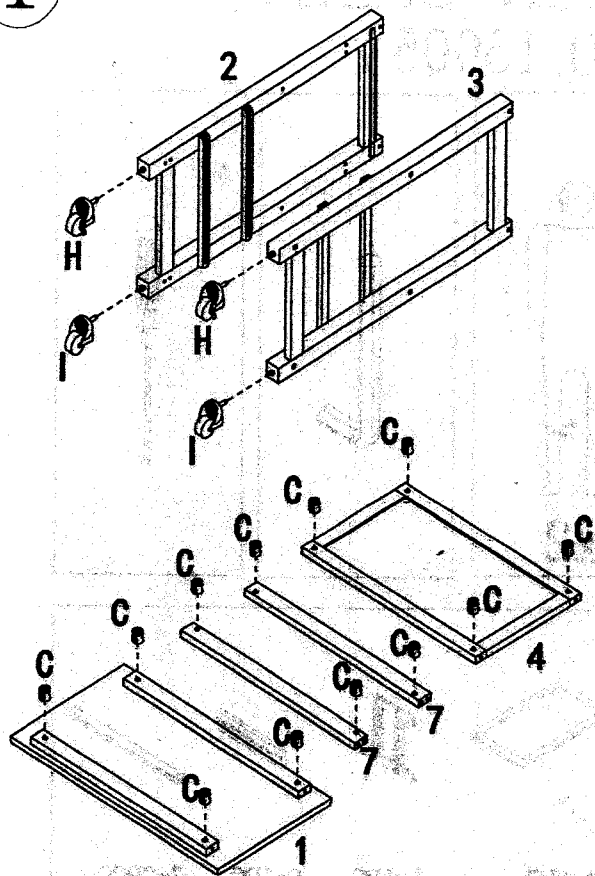
INSTRUCTION SHEET

(ITEM NO. 15005)

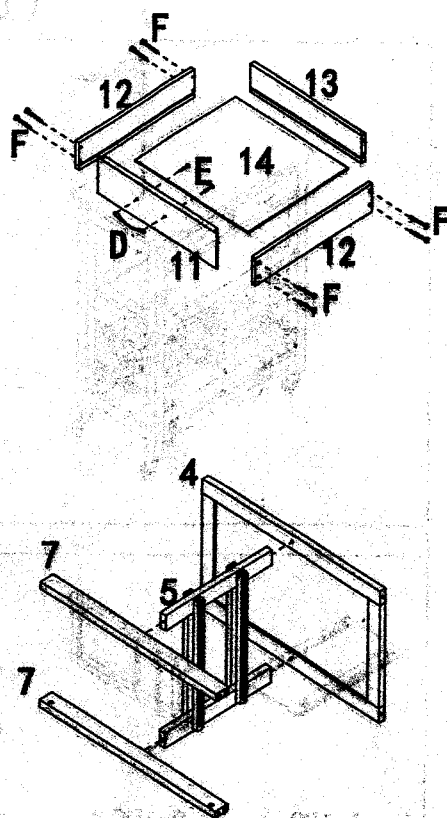
PO# 5876



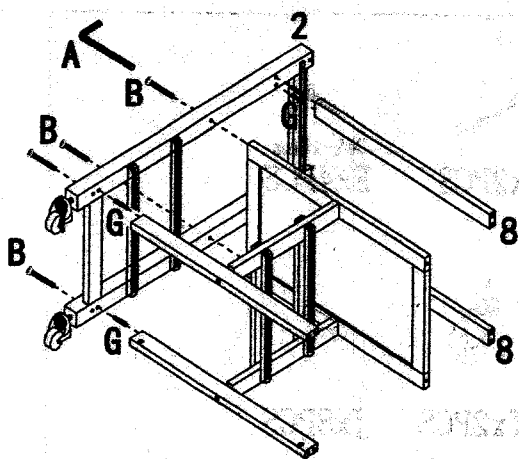
1



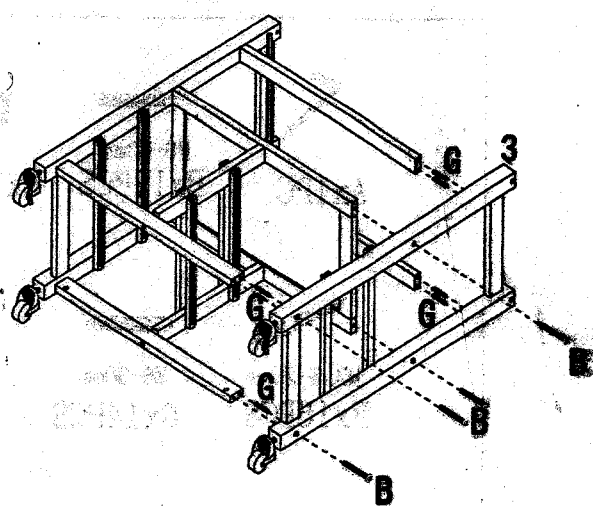
2



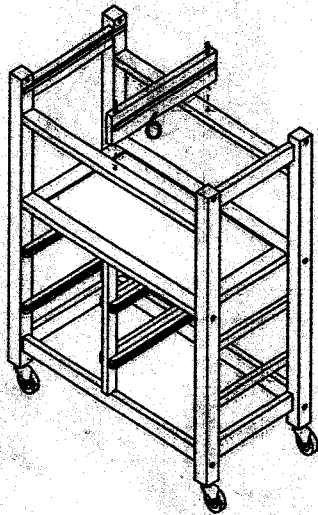
3



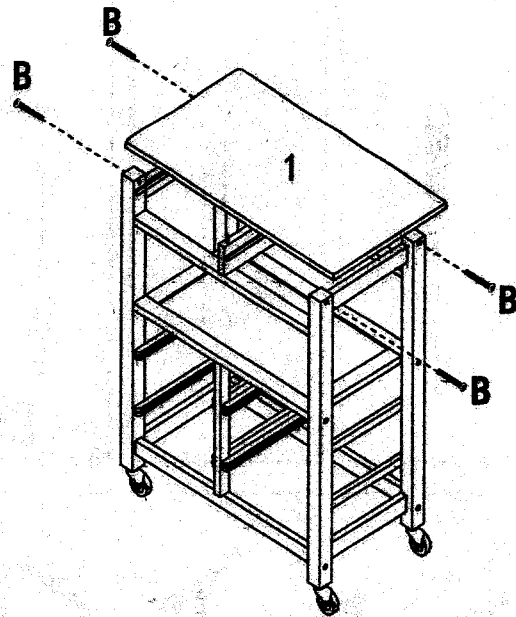
4



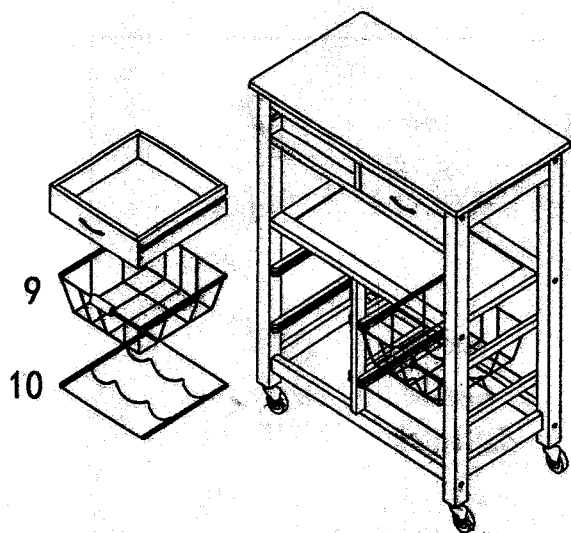
5



6



7



8

