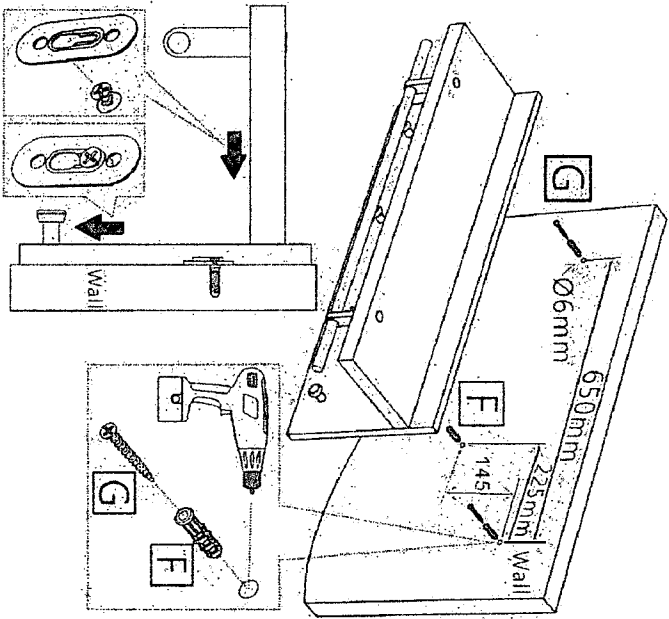


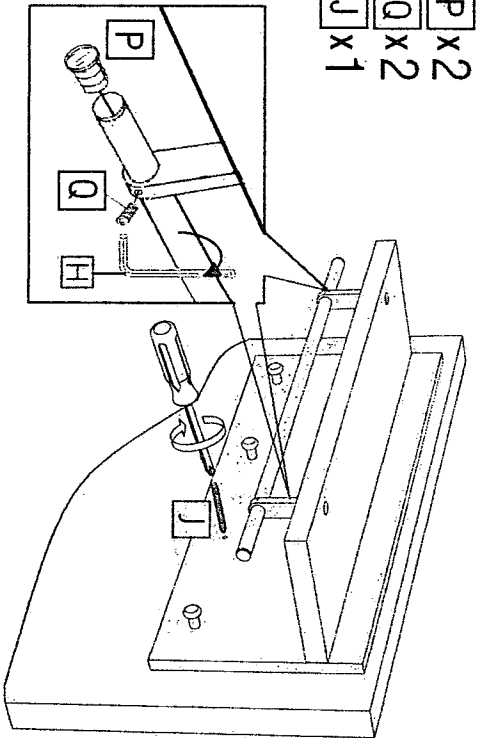
5

G x 3  
F x 2



6

P x 2  
Q x 2  
J x 1



7

R x 1  
K x 1  
L x 1

