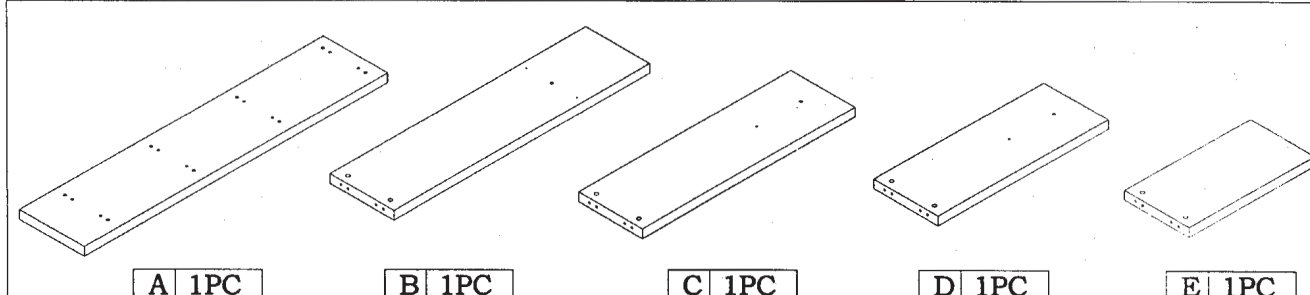
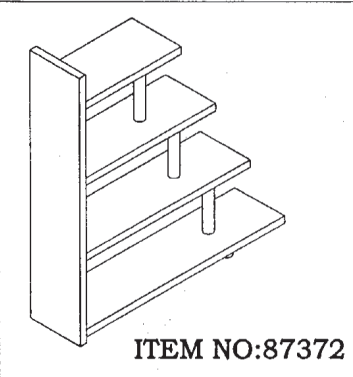
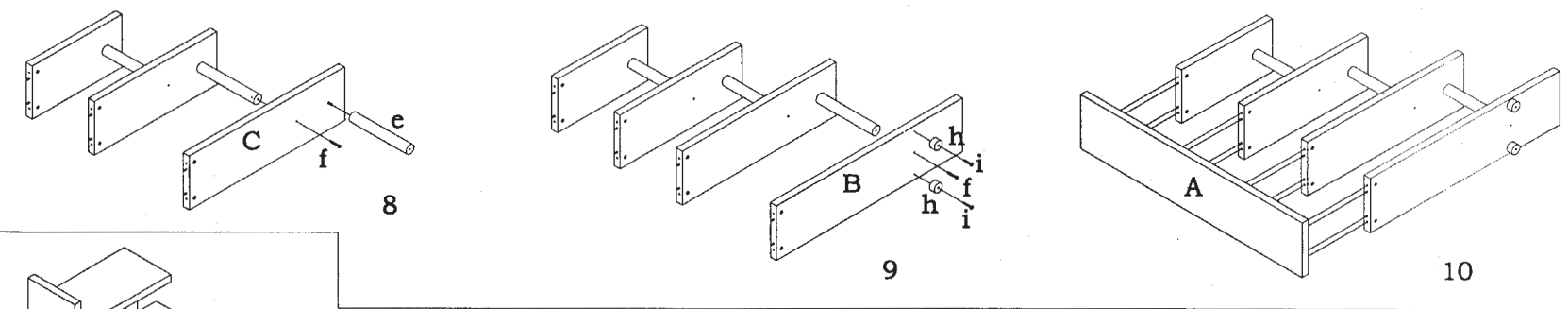
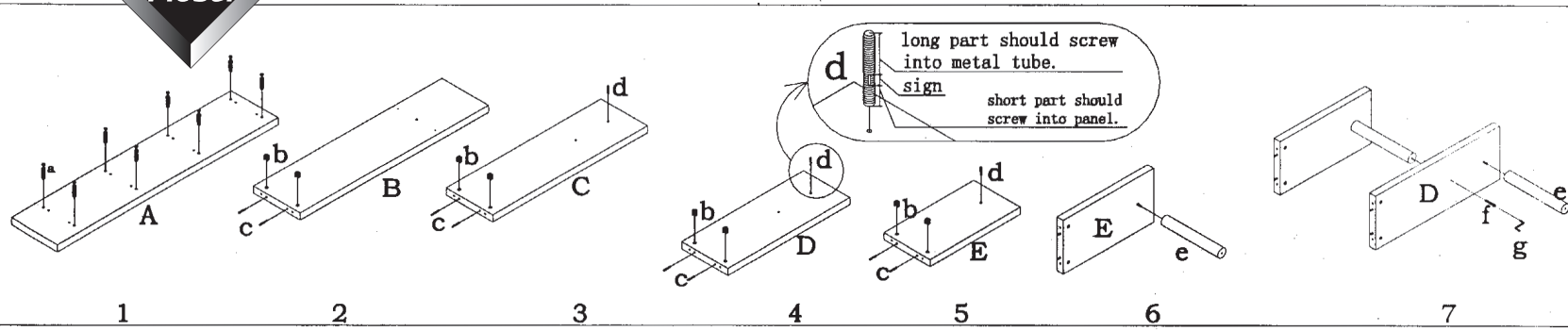




# Montagehandleiding 87372



|        |        |        |        |        |        |       |        |        |
|--------|--------|--------|--------|--------|--------|-------|--------|--------|
|        |        |        |        |        |        |       |        |        |
| a 8PCS | b 8PCS | c 8PCS | d 3PCS | e 3PCS | f 3PCS | g 1PC | h 2PCS | i 2PCS |



Montagetijd 10min.

Montage kan door 1 persoon gedaan worden