



# Montagehandleiding 91842

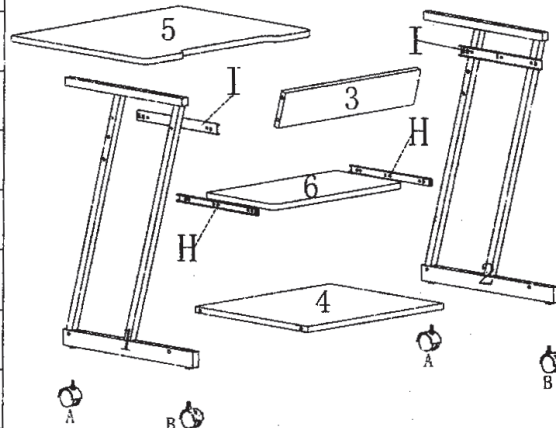


Montagetijd ca.15min.



Montage kan door 1 persoon gedaan worden

A		2PCS
B		2PCS
C		8PCS
D		4PCS
E		4PCS
F		4PCS
G		4PCS
H		2PCS
I		2PCS
J		1PC



1

A		2PCS
B		2PCS
J		1PC

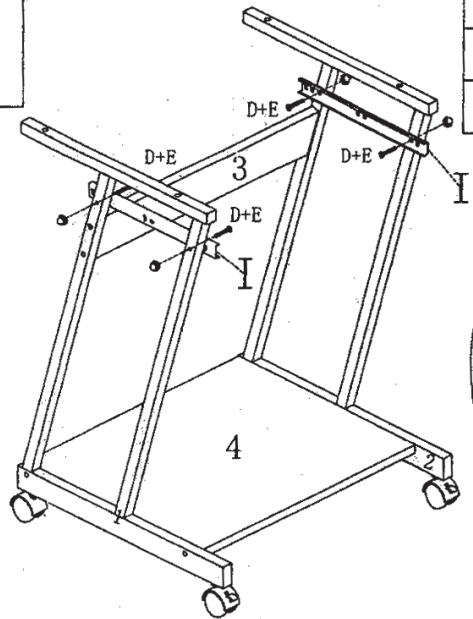
Side rail holder

---

2

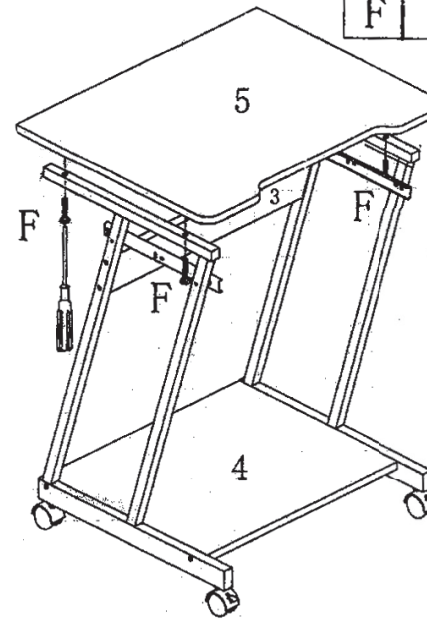
C		8PCS
---	--	------

3



D		M4X25	4PCS
E		M4	4PCS
I			2PCS

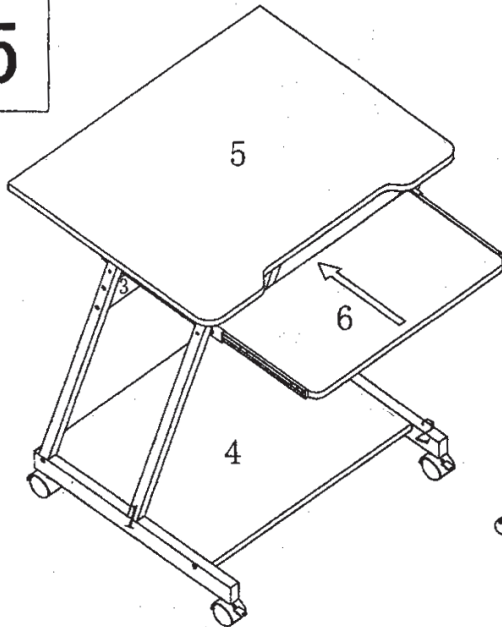
4



F		M6X30	4PCS
---	--	-------	------



5



G		ST3.5X12	4PCS
H			2PCS

6

